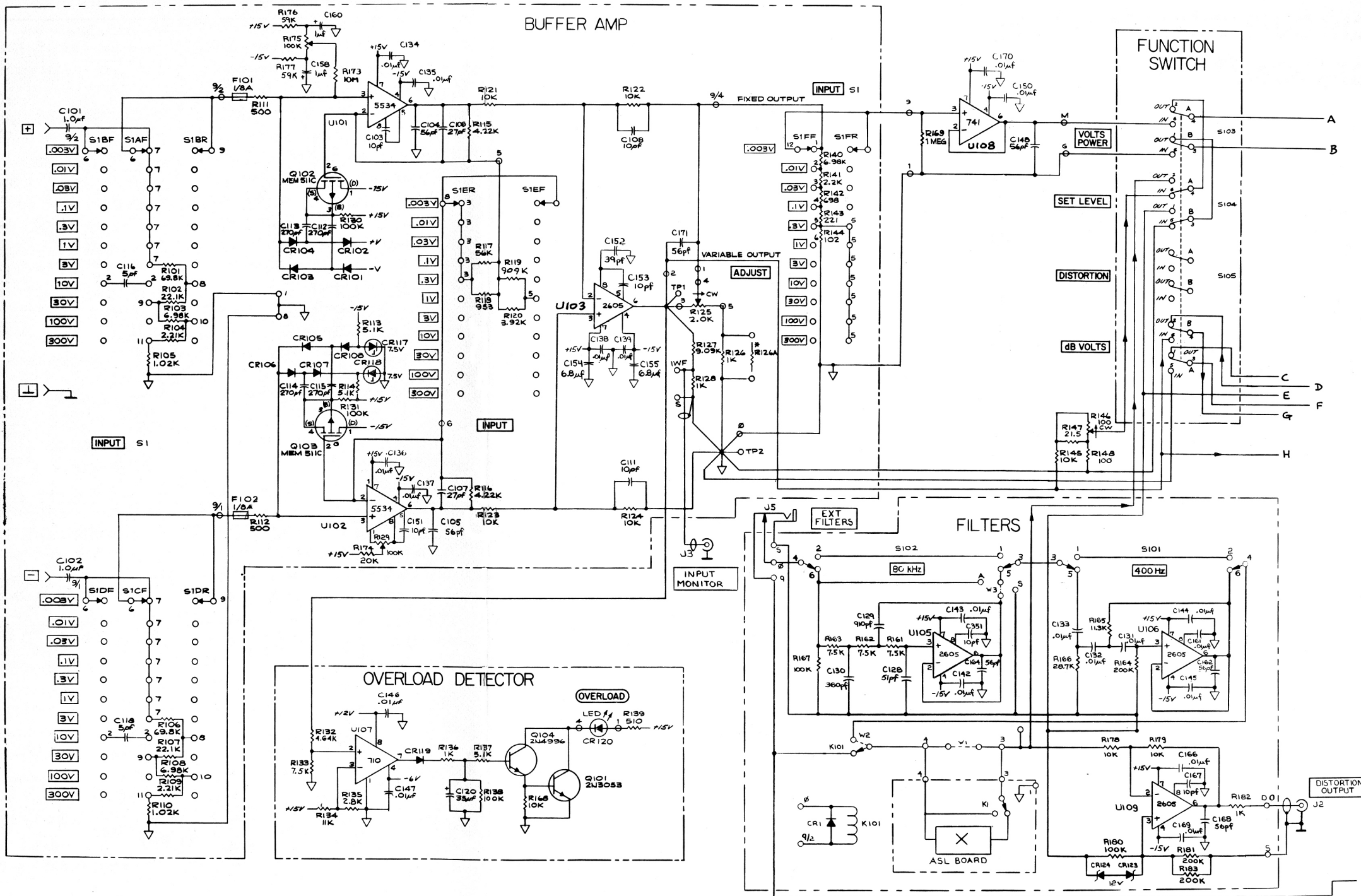
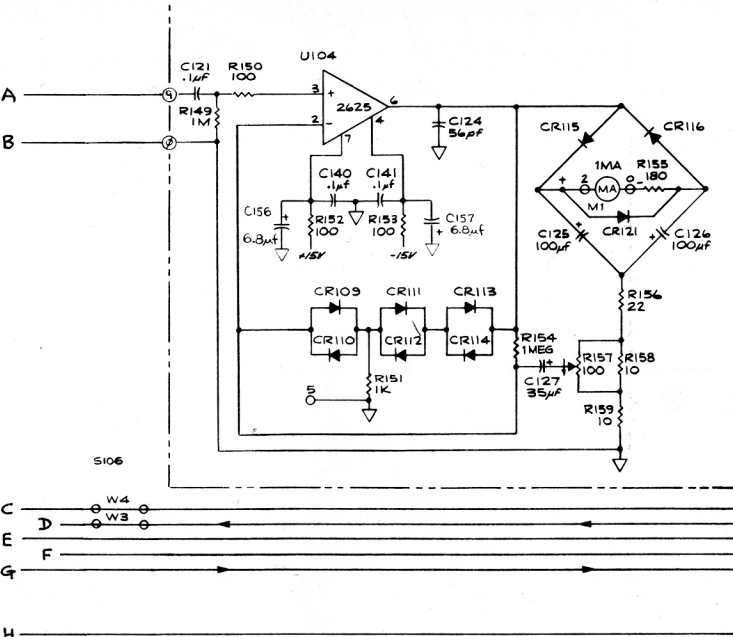


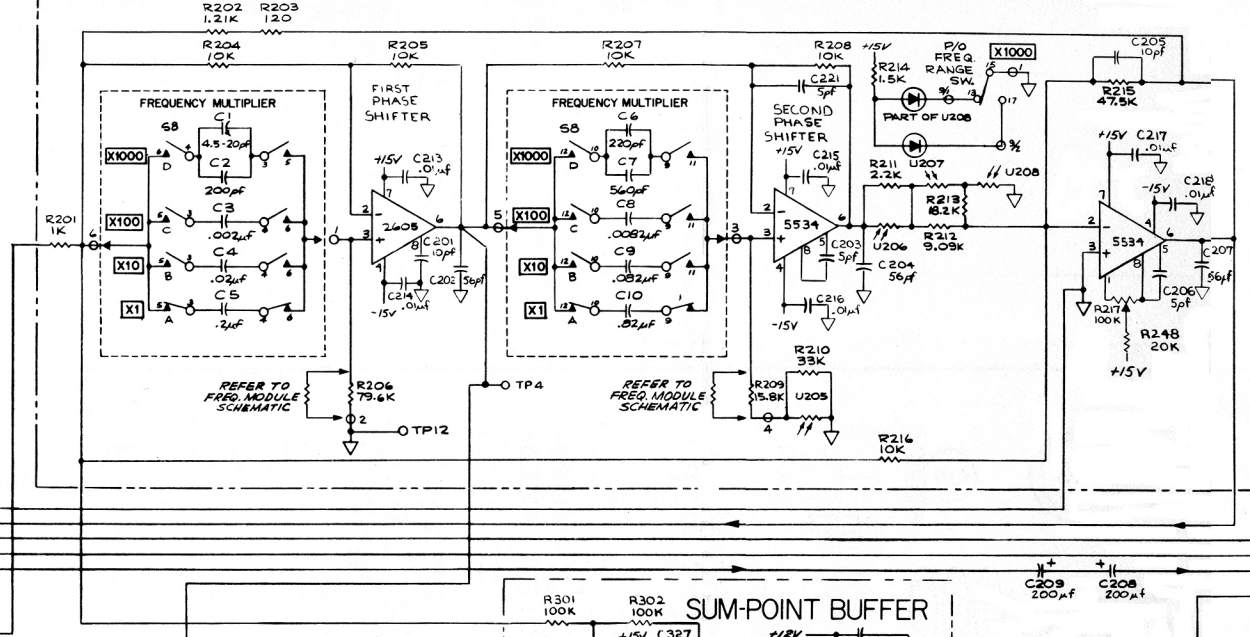
# BUFFER AMP



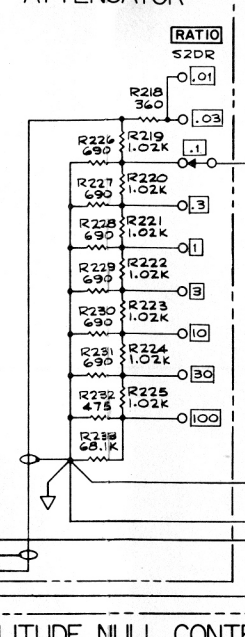
### AC METER



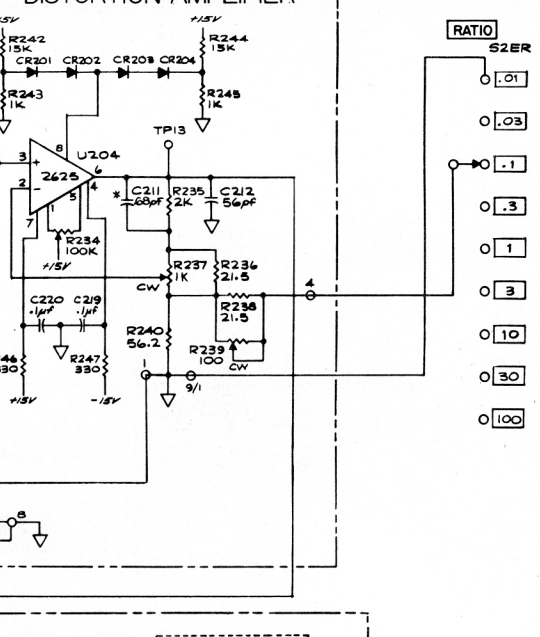
### NOTCH FILTER



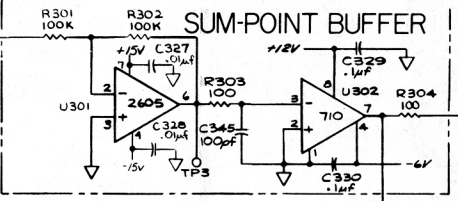
### ATTENUATOR



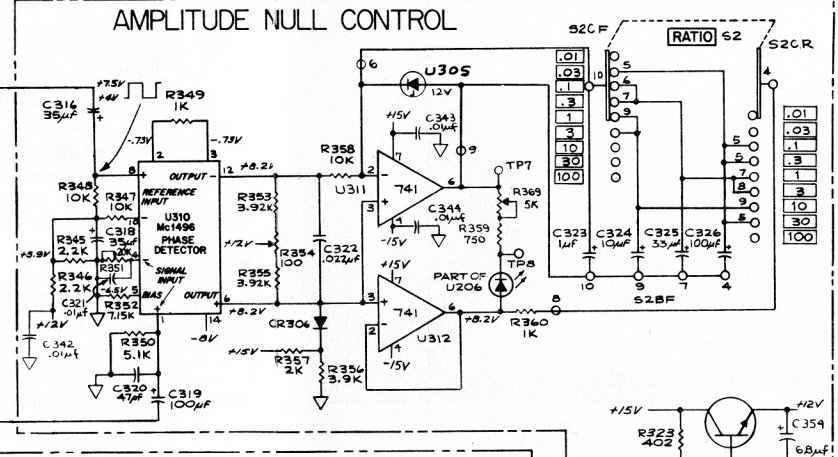
### DISTORTION AMPLIFIER



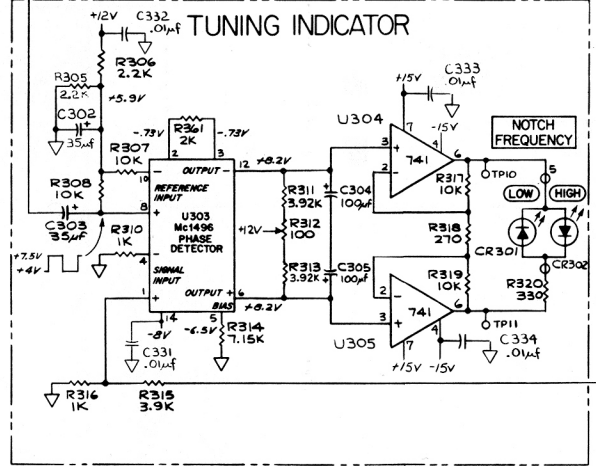
### SUM-POINT BUFFER



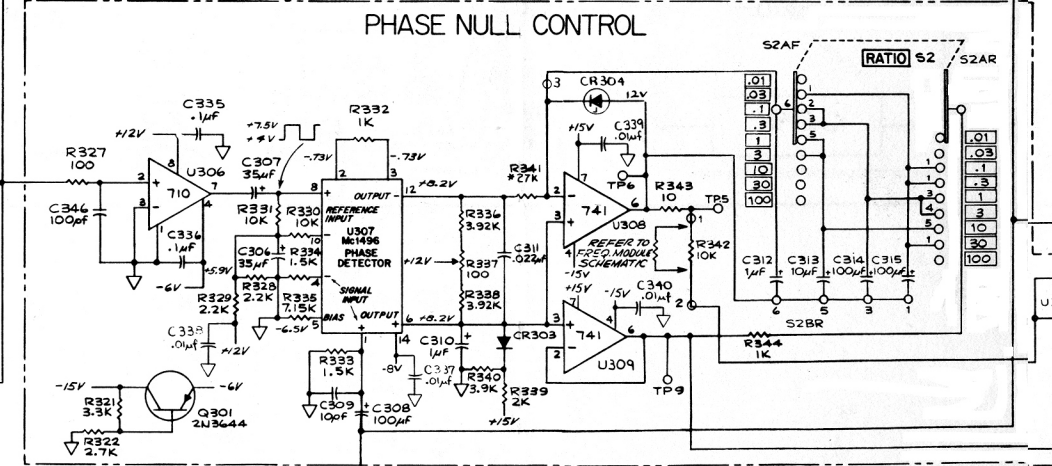
### AMPLITUDE NULL CONTROL

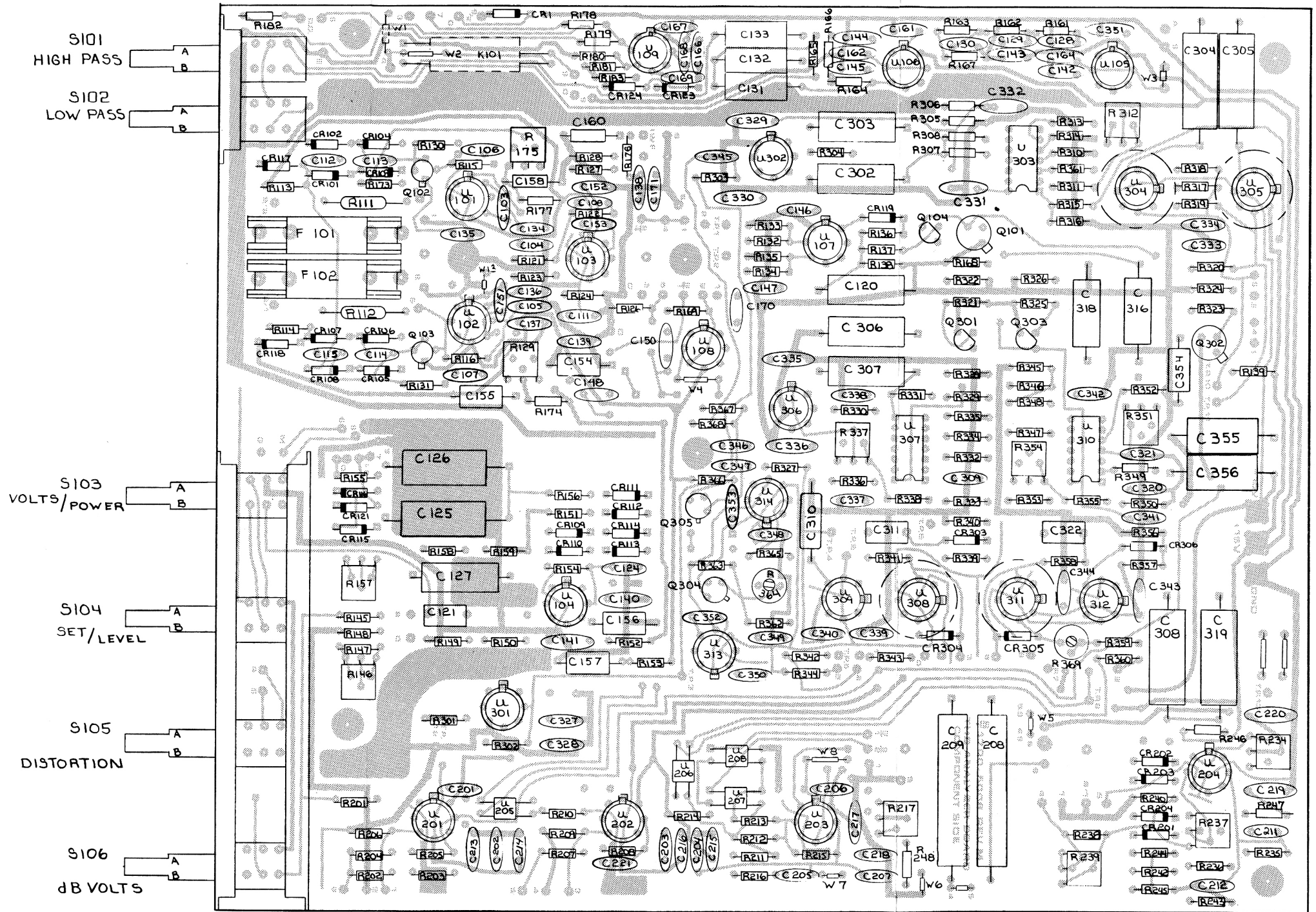


### TUNING INDICATOR



### PHASE NULL CONTROL





S101  
HIGH PASS

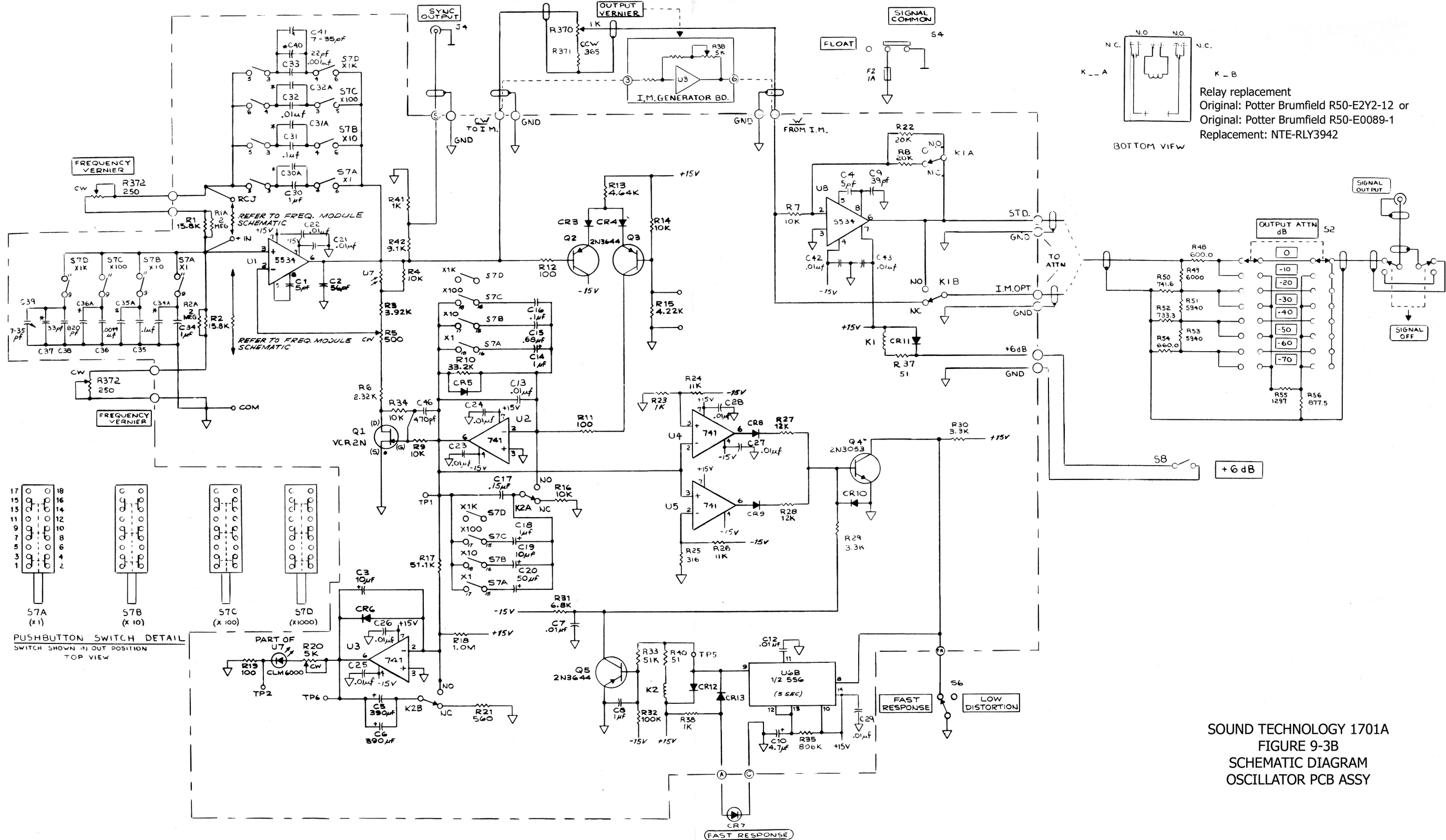
S102  
LOW PASS

S103  
VOLTS/POWER

S104  
SET/LEVEL

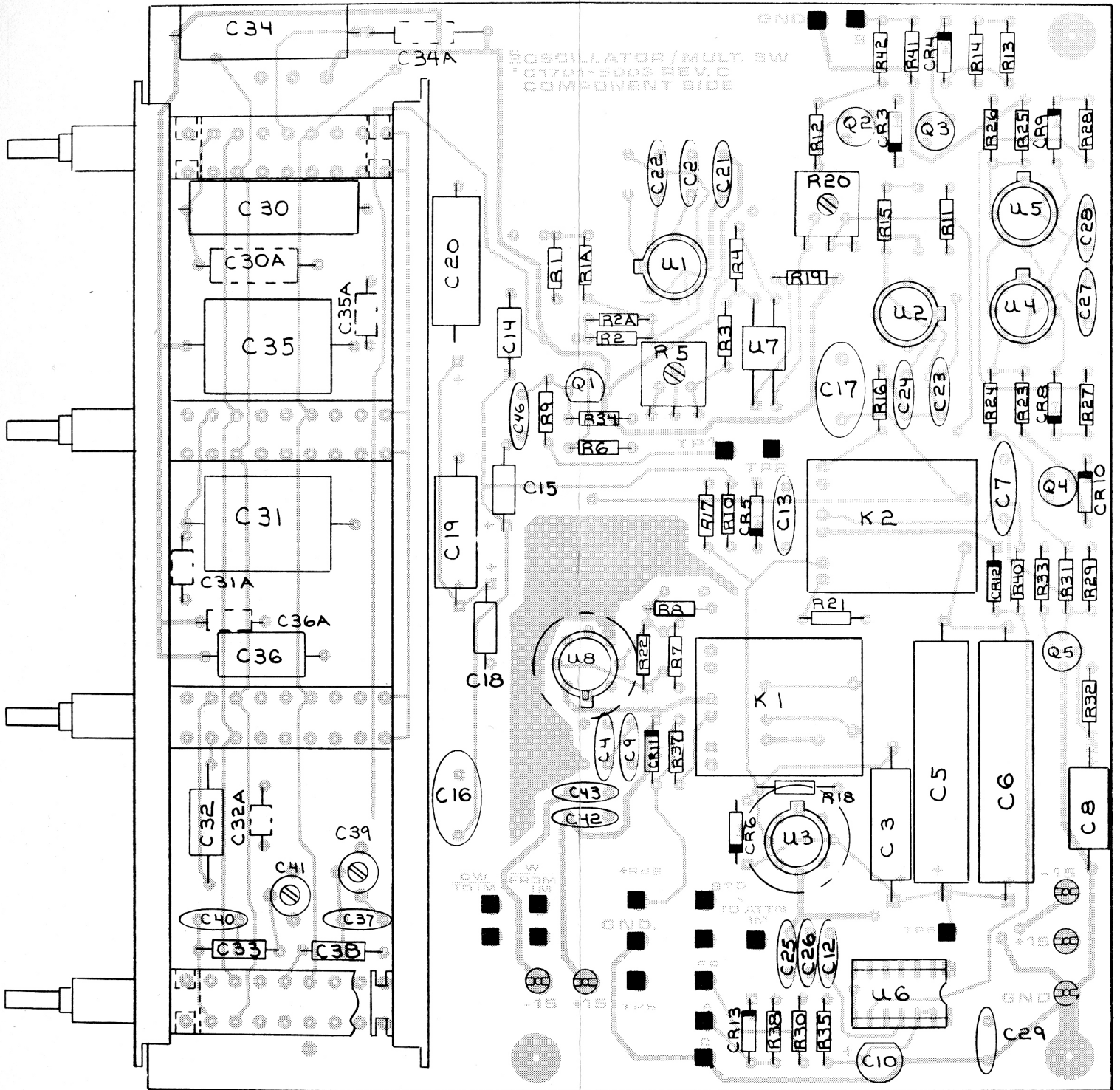
S105  
DISTORTION

S106  
dB VOLTS



SOUND TECHNOLOGY 1701A  
 FIGURE 9-3B  
 SCHEMATIC DIAGRAM  
 OSCILLATOR PCB ASSY







GND

OSCILLATOR / MULT. SW  
COMPONENT SIDE

5178

1MB  
1.0/100V  
004779F  
5178

100000F

100000F

00666

100000F

100000F

300

300

100000F

CW TO IM

FROM IM

GND.

GND.

GND.

GND.

SP84

STD TO ATTN IM

TP6

GND

TYPE E

7847  
M  
NESS64

100000F

TP1

TP2

POTTER & BRUMFIELD  
R50-E0089-1  
7903

POTTER & BRUMFIELD  
R50-E0089-1  
7903

TE-1204  
10-25 DC

390-12DC  
7121 +

390-12DC  
TE1140

300  
TE-1204  
10-25 DC

NESS6N 7835

GND

+15

TP5

TP4

TP3

TP2

TP1

TP0

TP-1

TP-2

TP-3

TP-4

TP-5

TP-6

TP-7

TP-8

TP-9

TP-10

TP-11

TP-12

TP-13

TP-14

TP-15

TP-16

TP-17

TP-18

TP-19

TP-20

TP-21

TP-22

TP-23

TP-24

TP-25

TP-26

21

19

18

17

16

15  
14  
13  
12  
11  
10  
9  
8  
7  
6  
5  
4  
3  
2  
1